

# INSTINCT®



Square Polished Radiator Valves  
angle and straight patterns

# square polished radiator valves



## DESIGN

The INSTINCT® square polished radiator valves are of durable construction giving dependable performance on domestic applications and in particular in bath and shower rooms.

Their smooth polished chrome finish and easy clean design makes them ideally suitable for use with towel rails and radiators in bath and shower rooms.

The polished chrome finish compliments white, chrome and other modern coloured towel rails and radiators.

The valves can also be used to provide isolation and regulation on radiators in other rooms with a more stylistic modern decor.

The inlet connection to both valves is 15 mm compression to BS EN 1254, for use with half hard R250 copper tube to BS EN 1057, and the outlet connection is a union tailpipe with ½" external pipe thread to BS EN ISO 228.

## MATERIALS OF CONSTRUCTION

Body	Brass	BS EN 12164 CW617N
Union nut	Brass	BS EN 12164 CW617N
Tailpiece	Brass	BS EN 12164 CW614N
Olive	Brass	BS EN 12164 CW617N
Seals - 'O' rings	EPDM	
Disk facing	EPDM	
Body finish	Chrome Plated	

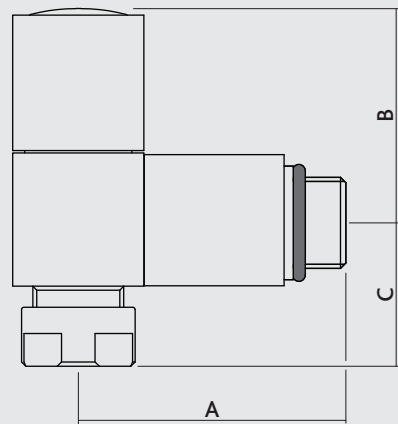
## TECHNICAL SPECIFICATION

Max. working pressure (static):	10 bar
Max. temperature:	100 °C
Medium:	water, glycol solution
Max percentage of glycol:	30%

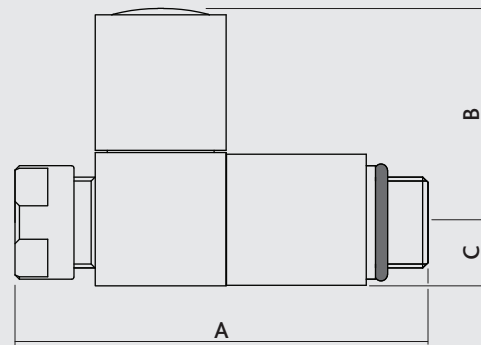
Prod Code	Description
INST-AL030LC	15 mm x ½" square angled
INST-AL031LC	15 mm x ½" square straight

Supplied as a pair of wheelhead valves.

## DIMENSIONS



Prod Code	A	B	C
INST-AL030LC	61	49	33



Prod Code	A	B	C
INST-AL031LC	95	49	14.5

Altecnic Ltd Mustang Drive, Stafford, Staffordshire ST16 1GW

T: +44 (0)1785 218200 E: sales@altecnic.co.uk

Registered in England No: 2095101

[altecnic.co.uk](http://altecnic.co.uk)

AL 339 02-07-19

E & O.E

© Altecnic Limited. 2019

ALTECNIC™

**INSTINCT®**